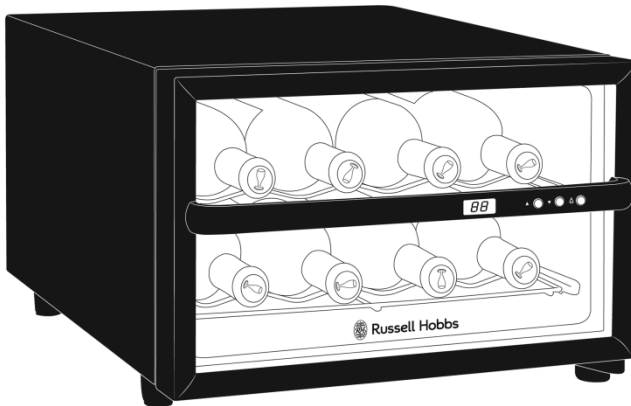




# Russell Hobbs

## 8 Bottle Drinks Cooler User Guide



**Model number:  
RH8WC1**

For Customer Services & Spare Parts please call **0345 208 8750**  
Opening times: Monday - Friday 8am – 8pm & Saturday 9am – 1pm  
or visit us at [www.productcare.co.uk](http://www.productcare.co.uk)

**IMPORTANT:  
RETAIN FOR FUTURE REFERENCE**

# Contents

Safety Instructions	.....	2 - 3
Before Switching On	.....	3
Installing and Switching on Your Appliance	.....	4
Your Appliance and the Compartments	.....	5
Unit & Spare Parts	.....	5
Installation	.....	6
Where to Put Your Appliance	.....	7
Usage Information	.....	8 - 9
Cleaning and Maintenance	.....	10
Bulb Replacement	.....	10
Important Notes	.....	10
Connection to the Mains Supply	.....	11
Reversing the Door	.....	12
Troubleshooting	.....	13 - 14
Guarantee	.....	15
Technical specification	.....	16
Notes & Customer services	.....	17- 19



For Customer Services & Spare Parts please call **0345 208 8750**  
Opening times: Monday - Friday 8am – 8pm & Saturday 9am – 1pm  
or visit us at [www.productcare.co.uk](http://www.productcare.co.uk)

# Before Using the Appliance

## Safety Instructions

- This appliance is a Semi-conductor electric refrigerating appliance, which is a Category 10 other appliance, according to ErP 643/2009. Its design temperature is 17°C

**Warning:** Keep ventilation openings of the appliance clear of obstruction.

- The appliance must not be placed or rested on the power cord.
- Do not use electrical appliances in the compartment of the appliance.
- If this appliance is to replace an appliance with a lock, the lock must be removed as a safety measure before storing it or disposing of it. This is to protect children from locking themselves inside the appliance.
- Old appliances must be disposed of properly. Entrust the disposal of the scrap unit categorically to the competence of your local waste disposal service. Contact your local authority or your dealer if you have any questions. Please ensure that you do not damaged the scrap unit prior to being picked-up by the relevant waste disposal service.

### Important Note:

Please read this booklet before installing and switching on this appliance.

The manufacturer assumes no responsibility for incorrect installation and usage as described in this booklet.



For Customer Services & Spare Parts please call **0345 208 8750**  
Opening times: Monday - Friday 8am – 8pm & Saturday 9am – 1pm  
or visit us at [www.productcare.co.uk](http://www.productcare.co.uk)

# Safety Instructions

## Warning:

- This appliance can be used by children aged from 8 years and above and persons with reduced physical, sensory or mental capabilities or lack of experience and knowledge if they have been given supervision or instruction concerning use of the appliance in a safe way and understand the hazards involved. Children should not play with the appliance.
- Do not use adaptors, multiple receptacles or extension leads.
- Do not plug in damaged plugs.
- Do not pull, twist or damage the power cable.
- Do not put the appliance or any other objects on the power cord.
- This appliance is designed for the use by adults, do not allow children to play with the appliance or let them hang over the door.
- Do not plug-in or un-plug the appliance with wet hands to prevent electrical shock.
- Do not place explosive or flammable material in your cooler for your own safety.
- Bottles containing a high percentage of alcohol must be sealed well and placed horizontally in the appliance.
- Do not cover the body or the top of the appliance with lace. This affects the performance of your appliance.
- Fix down the accessories in the appliance during transportation to prevent damage to them.

## Before Switching On:

- **There may be an odour when you first switch on the appliance, this is normal and should disappear when the appliance starts to cool.**
- **Before using your appliance, add a teaspoon of bicarbonate of soda to warm water and with a damp cloth wipe down all parts of the new appliance, then repeat the process with a clean damp cloth and dry.**
- **ENSURE THE APPLIANCE IS NOT CONNECTED TO THE POWER WHEN PERFORMING THIS TASK**



For Customer Services & Spare Parts please call **0345 208 8750**  
Opening times: Monday - Friday 8am – 8pm & Saturday 9am – 1pm  
or visit us at [www.productcare.co.uk](http://www.productcare.co.uk)

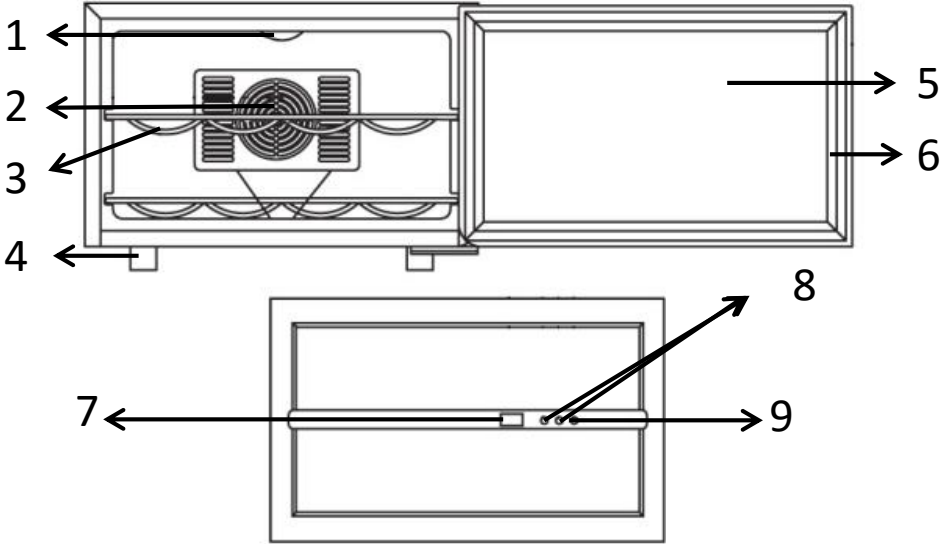
# Installing and Switching on Your Appliance

- Operating voltage for your appliance is 220-240V at 50Hz.
- If you need help or are unsure how to install the unit, please contact Customer Services on 0345 208 8750 or visit [www.productcare.co.uk](http://www.productcare.co.uk).
- Before plugging in the power supply, ensure that the voltage on the nameplate corresponds to the working voltage of your electrical system in your home.
- Insert the plug into an efficient Ground (Earth) connection. If the socket has no Ground (Earth) contact or the plug does not match, we suggest you call an authorised electrician for assistance.
- We do not take responsibility for damages that occur due to Ungrounded (Un-earthed) usage.
- Place your appliance in an area that is not exposed to direct sunlight.
- Your appliance should be placed at least 500 mm (50cms) away from stoves, ovens and other heating cores.
- It should never be used outdoors or left in the rain.
- When your appliance is placed next to a chest freezer or freezer, there should be at least 50 mm (5cms) between them to prevent humidity on the outer surface.
- Do not place anything on your appliance and install the unit in a suitable place so that there is at least 300 mm (30cms) clearance above the appliance.
- If placing your appliance next to kitchen cabinets, leave 50 mm (5cms) between them.
- The rear of the appliance should be at least 100 mm (10cms) away from the back wall.
- The appliance must be used in the vertical position and on a flat surface.
- To level the appliance use the adjustable feet on the front of the appliance.
- Do not place your appliance on a carpeted surface as this will prevent adequate ventilation.
- Do not place hot food or containers in the appliance as this can cause damage your appliance.
- Your appliance is only designed to be used in the home. It is suitable for storing and chilling beverages. No food stuffs must be stored in the appliance. If it is used for any other purpose or it is not used correctly, then Product Care Ltd. will accept no liability for any damage that is caused.



For Customer Services & Spare Parts please call **0345 208 8750**  
Opening times: Monday - Friday 8am – 8pm & Saturday 9am – 1pm  
or visit us at [www.productcare.co.uk](http://www.productcare.co.uk)

# Your Appliance and the Compartments



- |    |       |    |                                |
|----|-------|----|--------------------------------|
| 1. | Light | 6. | Seal                           |
| 2. | Fan   | 7. | LED display                    |
| 3. | Shelf | 8. | Temperature adjustment buttons |
| 4. | Feet  | 9. | Light switch                   |
| 5. | Door  |    |                                |

Parts may vary according to the appliance model.

## Unit & Spare Parts

For spare parts please contact customer service on  
**0345 208 8750** or visit [www.productcare.co.uk](http://www.productcare.co.uk)

Item	Quantity
Shelf	2
Instruction Booklet	1



For Customer Services & Spare Parts please call **0345 208 8750**  
Opening times: Monday - Friday 8am – 8pm & Saturday 9am – 1pm  
or visit us at [www.productcare.co.uk](http://www.productcare.co.uk)

## Where to put your appliance

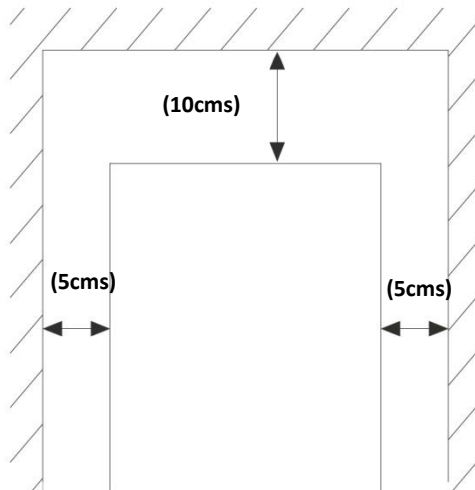
This appliance should only be placed on a flat, solid surface.

Do not place your appliance on a carpeted surface as this will prevent adequate ventilation.

Choose a dry and well-ventilated space. No less than 50mm (5cms) must be left around the sides and 100mm (10cms) around the back of the appliance to allow sufficient cooling.

Choose a location away from a heat source, e.g. direct sunlight, a radiator or oven, etc.

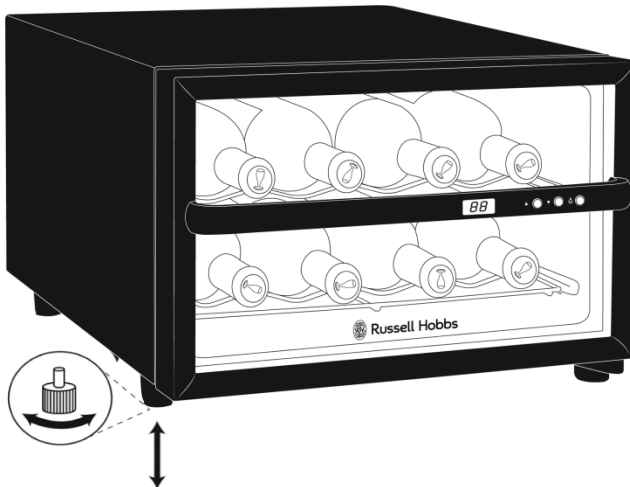
The appliance should be positioned so that the plug is easily accessible.



For Customer Services & Spare Parts please call **0345 208 8750**  
Opening times: Monday - Friday 8am – 8pm & Saturday 9am – 1pm  
or visit us at [www.productcare.co.uk](http://www.productcare.co.uk)

# Installation

- The unit should be kept away from direct sunlight.
- Remove all transport tapes and foam protection pieces. Clean the interior of the appliance with a cloth dampened in lukewarm soap and water. Wipe with clear water and wipe dry.
- When the appliance has been positioned, adjust the two front feet to ensure the unit is stable. This is essential to ensure quiet running and proper door opening /closing. See figure below.



- Plug in the cooler and adjust the temperature to the required level by the temperature adjustment buttons. Close the door.
- Leave the appliance for a minimum of 3 hours for the correct temperature to be reached before placing bottles inside.

 **Russell Hobbs**

For Customer Services & Spare Parts please call **0345 208 8750**  
Opening times: Monday - Friday 8am – 8pm & Saturday 9am – 1pm  
or visit us at [www.productcare.co.uk](http://www.productcare.co.uk)

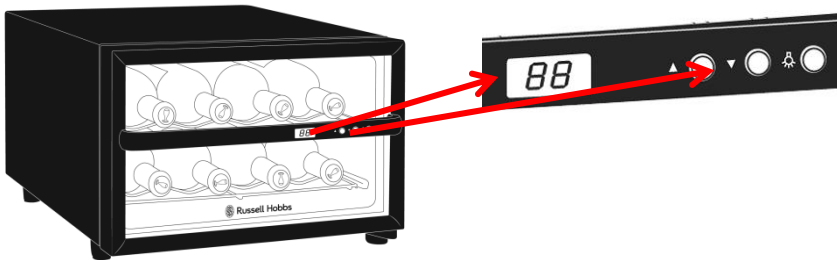


# Usage Information

## Thermostat Setting

**Note: The temperature of the freshly stored bottles and how often the door is opened affects the temperature in the compartment. If required, change the temperature setting.**

- When you first switch on the appliance, to enable suitable cooling, the appliance should work 24 hours continuously until it cools down to sufficient temperature.
- During this time do not open the door frequently or place a lot of bottles inside the appliance.
- If the unit is switched off or unplugged, you must allow at least 5 minutes before restarting or reconnecting the unit.



- **Temperature selection** - The temperature of the appliance is controlled manually by the temperature adjustment arrow buttons. To alter the temperature, press the up or down arrow on the control panel. The LED display will increase or decrease by one degree at a time.
- The appliance has a temperature range of 8° c- 18°c.
- Your appliance is designed to operate in the ambient temperature intervals stated in the associated standards, according to the climate class stated on the information label. We do not recommend operating your cooler out of the stated temperatures, as the appliance may not operate to its optimum level.

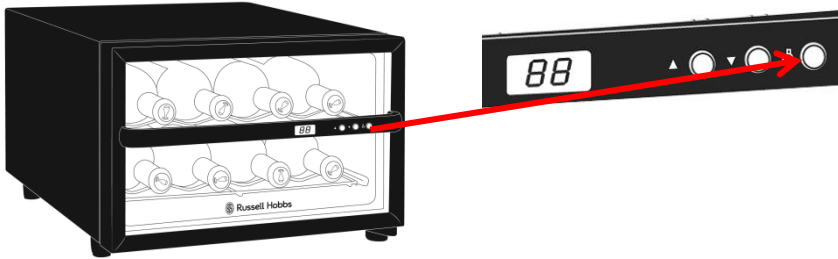
 **Russell Hobbs**

For Customer Services & Spare Parts please call **0345 208 8750**  
Opening times: Monday - Friday 8am – 8pm & Saturday 9am – 1pm  
or visit us at [www.productcare.co.uk](http://www.productcare.co.uk)

# Usage Information

## Interior light

- The appliance has an interior light and this can be switched on and off, by pressing the light switch that is located next to the temperature adjustment buttons.



## Shelves

- Any of the shelves can be removed, to accommodate larger bottles.
- Removing a shelf - Remove all of the bottles from the shelf that you want to remove. Lift the shelf upwards and then gently pull the shelf away from the appliance.
- Replacing a shelf - Place the shelf back into a supporting guide slot and push it back as far as it will go.

**Important:** Whilst the cooler can store larger bottles, you must make sure that they do not prevent the door from shutting properly.

- Always check that you can close the door without it touching or hitting any of the bottles, before shutting it.
- When loading several beverages at once, it will take longer for the appliance to cool the individual bottles or cans.



For Customer Services & Spare Parts please call **0345 208 8750**  
Opening times: Monday - Friday 8am – 8pm & Saturday 9am – 1pm  
or visit us at [www.productcare.co.uk](http://www.productcare.co.uk)

# Cleaning and Maintenance

- Disconnect the appliance from the power supply before cleaning.
- Do not pour water directly over or on the appliance.
- The compartment should be cleaned periodically using a solution of bicarbonate of soda and lukewarm water.
- Do not use abrasive products, detergents or soaps. After cleaning wipe down with a damp clean cloth.
- **Note:** Reconnect to the power after you have dried your hands.

**Do not use sharp metal tools as it may damage the appliance.**

**Do not use an electrical heater, this may cause an electric shock.**

## Bulb Replacement

Bulb is not replaceable, please contact your retailer or Product Care.

## Important Notes:

- If you do not use your appliance for a long period of time, e.g. when on summer holidays unplug it. Clean and leave the door open to prevent humidity and bad odours.

## Product Specification

- Capacity: 8 bottles (75cl) / 23 litres
- Energy efficiency rating: A++
- Temperature range: 8° - 18°
- Noise level: 38dB
- Metal shelves
- Adjustable feet (3 adjustable & 1 fixed)
- Internal light
- LED display



For Customer Services & Spare Parts please call **0345 208 8750**  
Opening times: Monday - Friday 8am – 8pm & Saturday 9am – 1pm  
or visit us at [www.productcare.co.uk](http://www.productcare.co.uk)

# Connection to the mains supply

For UK use only – Plug fitting details (where applicable):

As the colours of the wires in the mains lead of this appliance may not correspond with the coloured markings identifying the terminals in your plug, proceed as follows:

The GREEN/YELLOW wire is the EARTH and must be connected to the terminal which is marked with the letter E or by the earth symbol or coloured GREEN or GREEN/YELLOW.

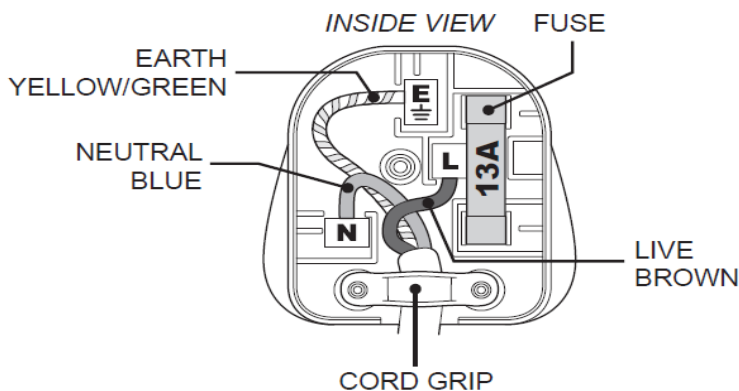
The BLUE wire is the NEUTRAL and must be connected to the terminal marked with the letter N or coloured BLACK. The BROWN wire is the LIVE wire and must be connected to the terminal marked with the letter L or coloured RED.

Always ensure that the plug cord grip is fastened correctly.

If a 13A (BS1363) fused plug is used it must be fitted with a 13amp fuse conforming to BS1362 and be BSI or ASTA approved.



**DANGER**  
**Electric**  
**Shock Risk**



 **Russell Hobbs**

For Customer Services & Spare Parts please call **0345 208 8750**  
Opening times: Monday - Friday 8am – 8pm & Saturday 9am – 1pm  
or visit us at [www.productcare.co.uk](http://www.productcare.co.uk)

# Reversing the Door

The door cannot be reversed



For Customer Services & Spare Parts please call **0345 208 8750**  
Opening times: Monday - Friday 8am – 8pm & Saturday 9am – 1pm  
or visit us at [www.productcare.co.uk](http://www.productcare.co.uk)

# Troubleshooting

Problem	Solution
The appliance doesn't work	Check that the appliance is switched on.
	Check that there has not been a power cut.
	Check that the plug is not faulty.
	Check that the fuse has not blown.
	Check that the voltage is correct for the appliance.
The temperature inside the appliance is not cold enough	Check that there are not too many bottles in the appliance.
	Check that the temperature is set to a suitable temperature.
	Check that the appliance is not placed in direct sunlight, or too near to a heating source.
	Check that the ambient temperature is within the operation limits of the appliance.
	Opening the doors frequently will also reduce the temperature within the appliance.
	Check that the door has not been left open or check that the door gasket is clean and undamaged.
The temperature within the appliance is too cold.	Increase the working temperature
The inner surfaces of the appliance are wet	Caused by condensation - dry the inside of the appliance.
The outer surfaces of the appliance are wet	Caused by condensation - dry the outer of the appliance carefully.
Unusual noises	Check that the appliance is on a flat, level surface and is stable.
	Check the spacing's around the appliance and ensure it is not touching other items.



For Customer Services & Spare Parts please call **0345 208 8750**  
 Opening times: Monday - Friday 8am – 8pm & Saturday 9am – 1pm  
 or visit us at [www.productcare.co.uk](http://www.productcare.co.uk)

# Troubleshooting

Problem	Solution
Smell/odour	Check that no bottles have leaked or any stagnant liquid is at the bottom of the appliance. Clean if required.



For Customer Services & Spare Parts please call **0345 208 8750**  
Opening times: Monday - Friday 8am – 8pm & Saturday 9am – 1pm  
or visit us at [www.productcare.co.uk](http://www.productcare.co.uk)

# Guarantee

This product is guaranteed for 12 months from the date of the original purchase. If any defect arises due to faulty materials or workmanship the faulty product must be returned to the place of purchase.

Refund or replacement is at the discretion of the retailer.

## The following conditions apply:

- The product must be returned to the retailer with the original proof of purchase.
- The product must be installed and used in accordance with the instructions contained in this instruction guide and any other instructions for use which have been supplied.
- It must be used for domestic purposes only and for its intended use.
- This warranty does not cover wear and tear, damage, misuse or consumable parts.

**This does not affect your statutory rights.**

Produced for:

**G2S Limited**

**Wigan**

**WN2 4AY**



For Customer Services & Spare Parts please call **0345 208 8750**  
Opening times: Monday - Friday 8am – 8pm & Saturday 9am – 1pm  
or visit us at [www.productcare.co.uk](http://www.productcare.co.uk)



## Technical Specification

<b>Model number</b>	RH8WC1
<b>Rated Voltage</b>	230-240V/50Hz
<b>Capacity (litres)</b>	8 bottles (75cl)/23 litres
<b>Dimensions (CMs):</b>	(H)27.5 x (W)41.0 x (D)54.3



For Customer Services & Spare Parts please call **0345 208 8750**  
Opening times: Monday - Friday 8am – 8pm & Saturday 9am – 1pm  
or visit us at [www.productcare.co.uk](http://www.productcare.co.uk)

Notes:



For Customer Services & Spare Parts please call **0345 208 8750**  
Opening times: Monday - Friday 8am – 8pm & Saturday 9am – 1pm  
or visit us at **[www.productcare.co.uk](http://www.productcare.co.uk)**

Notes:



For Customer Services & Spare Parts please call **0345 208 8750**  
Opening times: Monday - Friday 8am – 8pm & Saturday 9am – 1pm  
or visit us at **[www.productcare.co.uk](http://www.productcare.co.uk)**

For Customer Services &  
Spare Parts please call

**0345 208 8750**

Opening times:  
Monday – Friday

8am – 8pm

&

Saturday

9am – 1pm

or visit us at

**[www.productcare.co.uk](http://www.productcare.co.uk)**



This symbol is known as the 'Crossed-out wheelee bin Symbol'. When this symbol is marked on a product/batteries, it means that the product/batteries should not be disposed of with your general household waste. Only discard electrical/electronic/battery items in separate collection schemes, which cater for the recovery and recycling of materials contained within. Your co-operation is vital to make sure the success of these schemes and for the protection of the environment. For your nearest disposal facility, visit [www.recycle-more.co.uk](http://www.recycle-more.co.uk) or ask in store for details.

We reserve the right due to possible changes to design to alter the instruction manual without prior notice.

 **Russell Hobbs**

Revision 9